

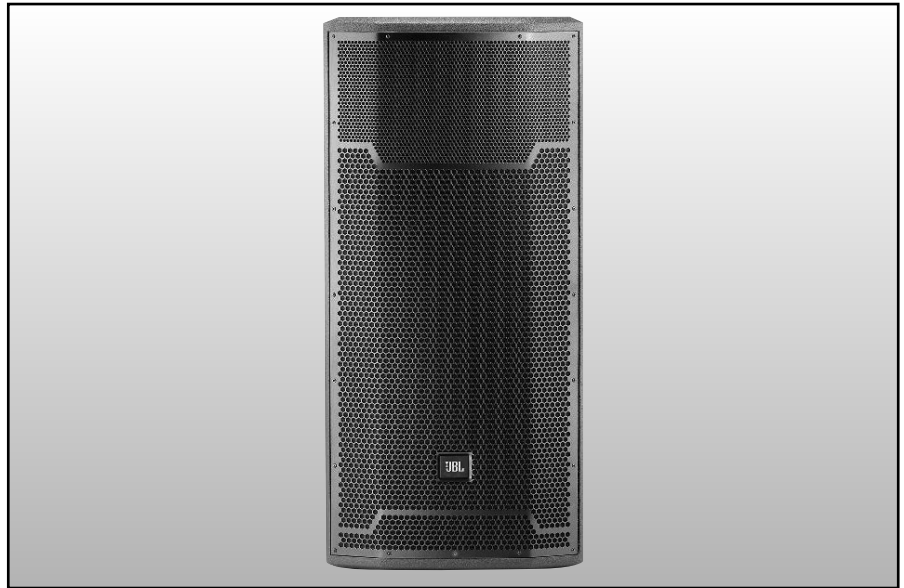
PRX735 15" Three-Way Full-Range Main System

Features:

- ▶ Maximum SPL Output 136 dB Peak
- ▶ 15" Differential Drive® low-frequency drivers for low-distortion and higher SPL
- ▶ 1.5" diameter next generation JBL neodymium compression driver
- ▶ 1500W (dual 750 watt) highly efficient Class-D amplifier
- ▶ Normal and Boost user selectable EQ presets
- ▶ DSP input section, crossover, dynamic limiting, component optimization, selectable system EQ
- ▶ Professional XLR-1/4" combination inputs, RCA inputs, and XLR loop-through
- ▶ Integrated 9 x M10 suspension points
- ▶ Lightweight poplar plywood cabinets made structurally sound with tongue and groove joints and protected by JBL's tour proven DuraFlex™ finish

Application:

- ▶ This speaker is ideally suited to applications where the program material exhibits subtlety and nuance. Perfectly capable of reproducing high fidelity full range sound without a subwoofer, when coupled with the extended low frequencies of the PRX718XLF, complete control over the entire audio spectrum is attained. As with all the full-range PRX700 Series systems, two EQ selections can be used to optimize the system for the program material and/or environment. The input section also accommodates either Line or Mic/Instrument level inputs.
- ▶ The PRX735 is a self-powered, lightweight three-way loudspeaker system capable of delivering a very high level of performance over a wide bandwidth. The PRX735 is comprised of one 15 in 275G Differential Drive® woofer, a 165 mm (6.5 in) 196H horn-loaded mid-range and a 2408H-2 37.5 mm (1.5 in) annular polymer diaphragm, neodymium compression driver mounted to a 90° by 50° horn, all driven by a 1500 watt Audio Class-D power amplifier. Sophisticated DSP is at the core of a fully featured input section, providing user selectable system EQ, protection, input sensitivity selection, cross-over functionality, dynamic limiting and discrete component optimization.
- ▶ All PRX700 cabinets are built from a combination of 25 mm (on the top and bottom for added rigidity) and 18 mm, strong, lightweight poplar plywood made structurally sound with tongue and groove joints. All PRX700 Series cabinets are protected by JBL's tour proven DuraFlex™ finish. Grilles are made from dent-resistant 16 gauge steel and handles are made from light-weight glass-filled nylon for added strength and durability. All M10 suspension points are constructed from 14 gauge steel and have been tested with a yield-strength of 1000 lbs. each.
- ▶ The amplifier input panel offers XLR or 1/4 inch jack compatibility and a sensitivity switch provides extra flexibility, making it possible to connect literally any sound source without using a mixer. Signal present and overload lights indicate the system status and assist in setting the optimum level via the level control knob.



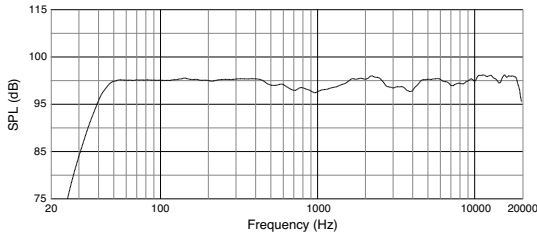
Specifications:

System:	
System Type:	Self Powered 15", three-way, bass-reflex
Maximum SPL Output:	136 dB peak
Frequency Range (-10 dB):	Normal: 35 Hz – 20 kHz Boost: 34 Hz – 20 kHz
Frequency Response (±3 dB):	Normal: 42 Hz – 20 kHz Boost: 39 Hz – 20 kHz
Input Connectors:	2 x Balanced XLR / 1/4 inch input, 2 x unbalanced RCA input
Input Impedance:	20K Ohms (balanced), 10K Ohms (unbalanced)
Signal Indicators:	Limit: Yellow LED indicates peak output has been reached and dsp limiter is acting Signal: Green LED indicates signal present Power/Standby: Blue indicates system has power and ready to pass audio, Red indicates system has power but is in a power saving mode and will not pass audio.
EQ:	User selectable presets for Normal or Boost
Dynamic Control (Input):	dbx Type IV™ limiter circuit
Crossover Frequency:	480 Hz, 2.0 kHz
Amplifier:	
Design:	Highly efficient Class-D amplifier
Power Rating:	1500W (750W x 2)
Speaker:	
LF Driver:	1 x JBL 275G 380 mm (15 in) woofer
MF Driver:	1 x JBL 196H 165 mm (6.5 in) horn-loaded midrange transducer
HF Driver:	1 x JBL 2408H-2 37.5 mm (1.5") annular polymer diaphragm, neodymium compression driver
Coverage Pattern:	90° x 50° nominal
Directivity Index (DI):	10.5 dB
Directivity Factor (Q):	11.2
Enclosure:	Trapezoidal, 18 mm, plywood
Suspension / Mounting:	12 x M10 Suspension Points
Transport:	2 x integrated handles with injection molded backing cup
Finish:	Obsidian DuraFlex™ finish
Grille:	Powder coated, Obsidian, 16 gauge perforated steel with acoustical transparent black cloth backing.
Dimensions (H x W x D):	952.5 mm x 445.0 mm x 537.97 mm (37.5 in x 17.52 in x 21.18 in)
Net Weight:	34.9 kg (77.0 lb)
Gross Weight:	38.6 kg (85.0 lb)

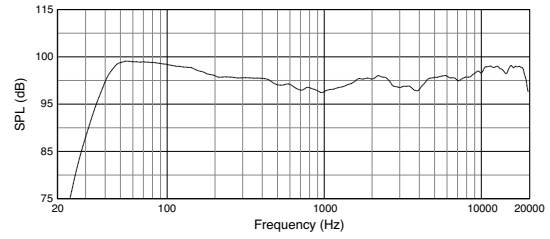
JBL continually engages in research related to product improvement. Some materials, production methods and design refinements are introduced into existing products without notice as a routine expression of that philosophy. For this reason, any current JBL product may differ in some respect from its published description, but will always equal or exceed the original design specifications unless otherwise stated.

▶ PRX735 15" Three-Way Full-Range Main System

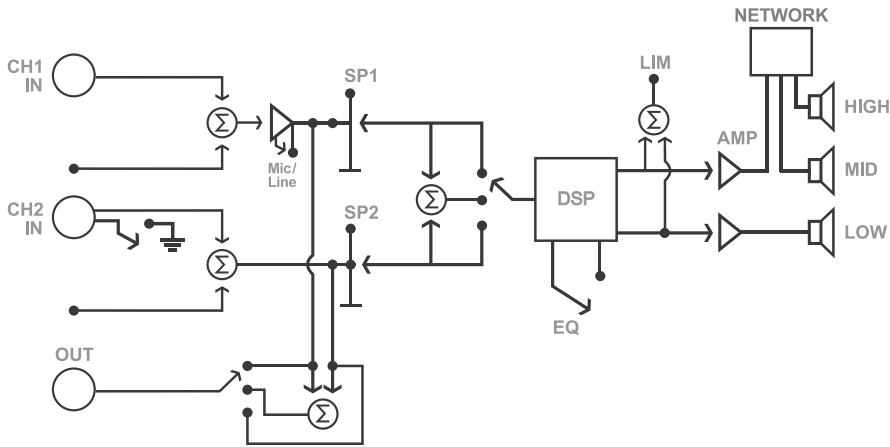
Frequency Response (Normal)



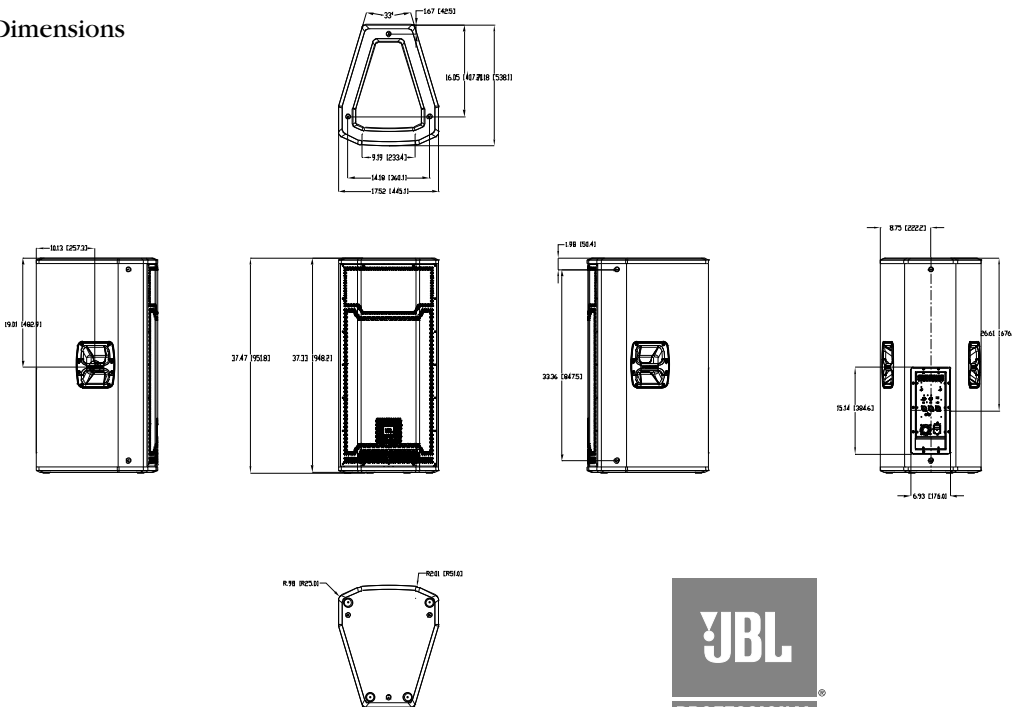
Frequency Response (Boost)



BLOCK DIAGRAM
PRX735



Dimensions



Dimensions in mm (in)



JBL Professional
8500 Balboa Boulevard, P.O. Box 2200
Northridge, California 91329 U.S.A.

© Copyright 2014 JBL Professional
www.jblpro.com

SS PRX735
CRP
04/14